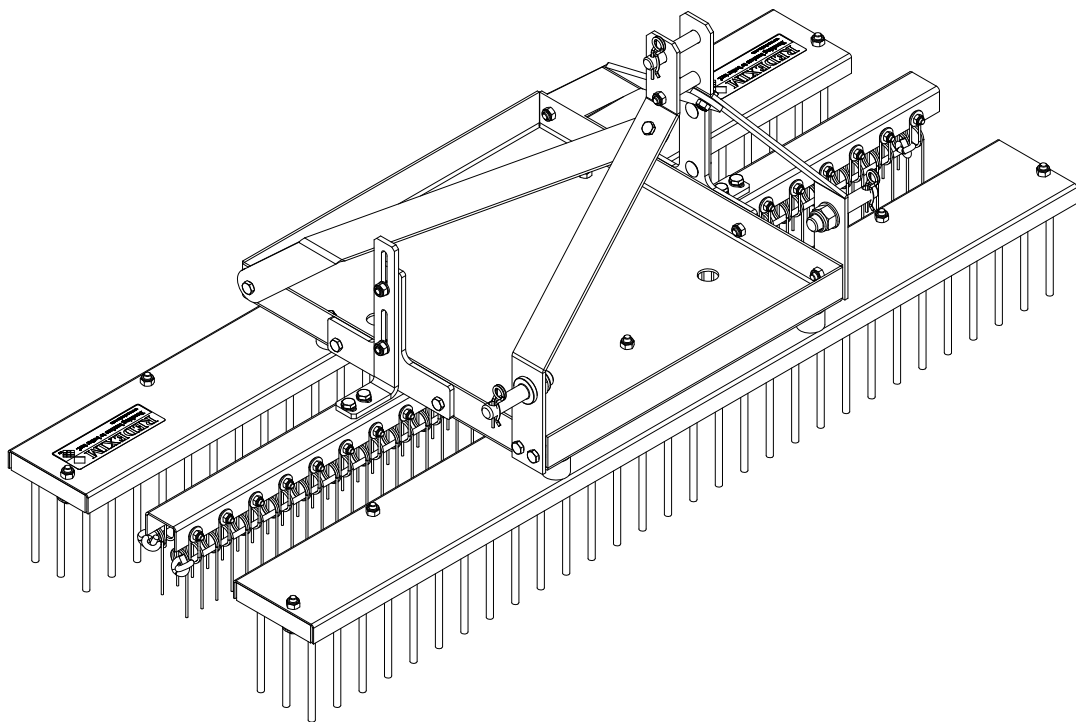
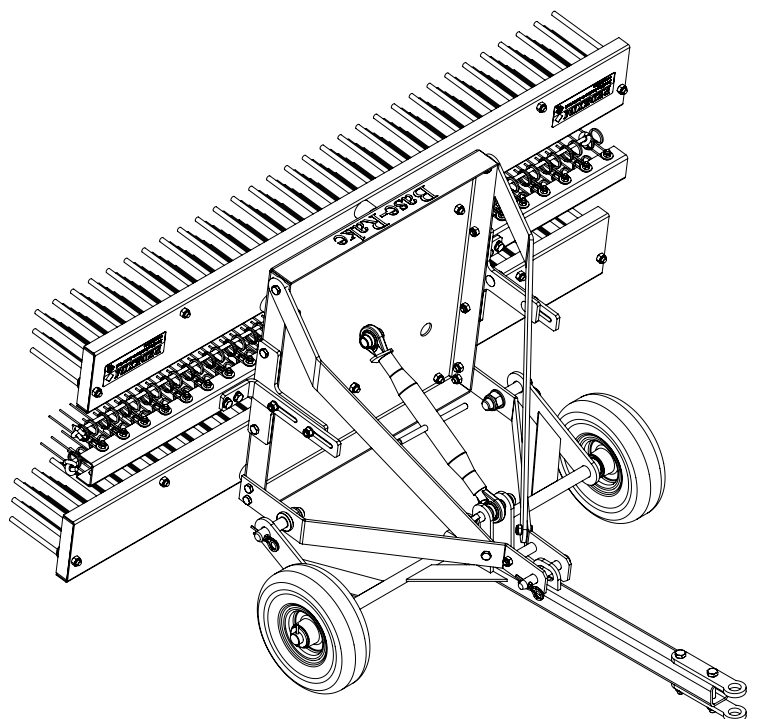
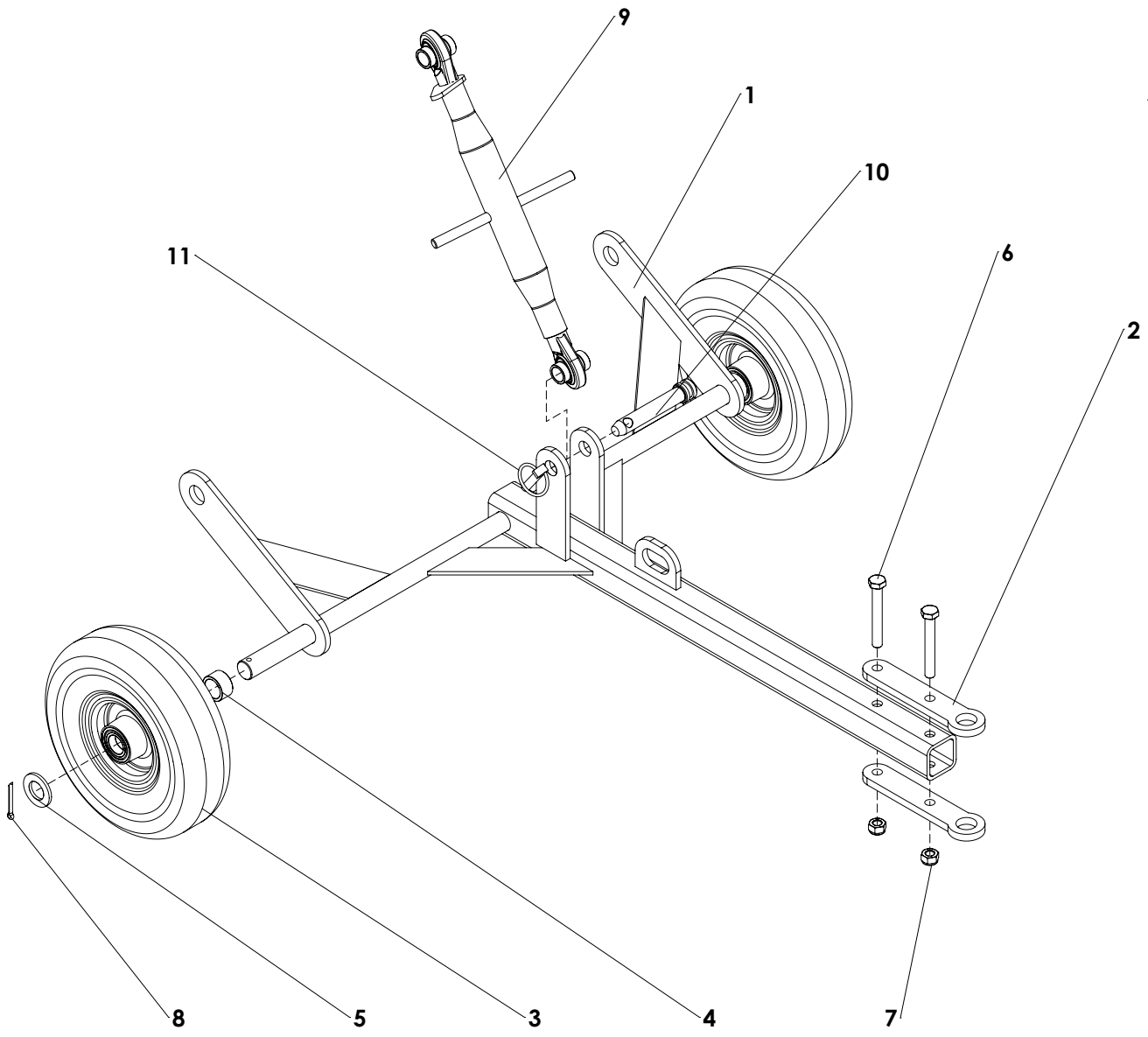


ITEM	PART NUMBER	DESCRIPTION	REMARKS	QUA
1	486.161.500	Brush Base Rake		2
2	468.039.152	Beam		1
3	361.103.157	Tine for rake VT		50
4	820.080.200	MH Bolt M8 x 20 ISO 8677		50
5	864.080.024	Large washer M8 - DIN 9021		50
6	830.080.080	Self Lock Nut M8 - ISO 10511		50
7	899.080.150	Rope For Spring Tines VR 1500		2
8	468.047.080	Bin		1
9	2490881	Bottom 3-Point Pin		2
10	2490825	Top Link Pin		1
11	523.030.750	R-Clip Round 3, DIN 11024		3
12	464.083.260	Mounting strip beam		2
13	464.087.902	Support strip left		1
14	464.087.900	Support strip right		1
15	468.039.151	Mounting plate brush		2
16	464.066.920	Link strip		2
17	406.130.602	Distance bush		1
18	468.082.402	Support plate		2
19	406.110.300	Bush Ø40 L=30		6
20	820.100.300	MH Bolt M10 x 30 ISO 8677		4
21	830.100.100	Self Lock Nut M10 - ISO 10511		35
22	864.100.030	Washer M10 - ISO 7089		8
23	916.260.100	Label Base-Rake		1
24	900.260.403	Logo Label Rev.B		2
25	864.100.031	Large washer M10 - DIN 9021		15
26	802.100.850	Bolt M10 x 85 - ISO 4014		8
27	804.100.250	Bolt M10 x 25 - ISO 4017		16
28	802.100.500	Bolt M10 x 50 - ISO 4014		8
29	864.220.030	Washer M22 - ISO 7089		2
30	830.220.220	Self Lock Nut M22 - ISO 10511		2





ITEM	PART NUMBER	DESCRIPTION	REMARKS	QUA
1	494.092.093	Tow bar		1
2	468.051.930	Pull eye		2
3	511.255.085	Wheel 8x3.00-4		2
4	402.250.180	Distance bush Ø33.5/Ø25.5 L=18.5		2
5	864.240.044	Washer M24 - ISO 7089		2
6	802.120.900	Bolt M12 x 90 - ISO 4014		2
7	830.120.120	Self Lock Nut M12 - ISO 10511		2
8	882.050.400	Cotter Pin 5 x 40 - DIN 94		2
9	522.194.450	Toplink Cat. 1 L0=498 Stroke=200		1
10	521.191.120	Top Link Pin		1
11	523.100.570	Linch Pin d10		1
				2
	262.150.000	Bogy Base Rake	Bogy complete item 1-11	