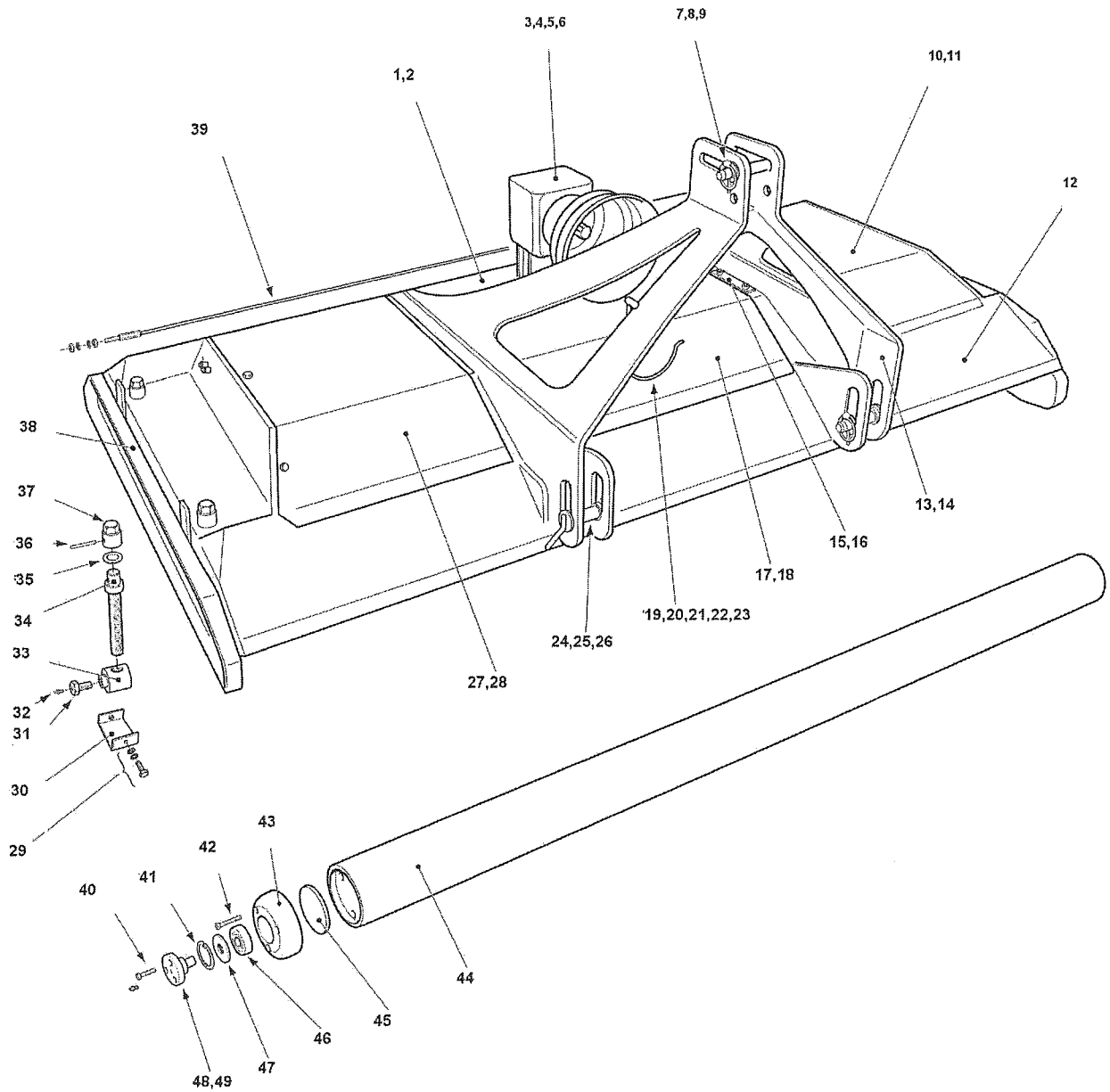


PLATE 1: PROLINE RMX BODY – PARTS DIAGRAM



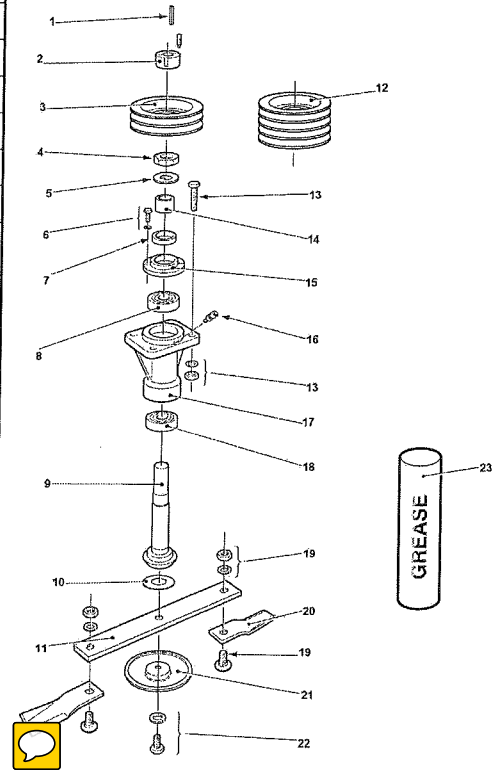
RMX 180
240
300

PLATE 1: PROLINE RMX BODY – KEY

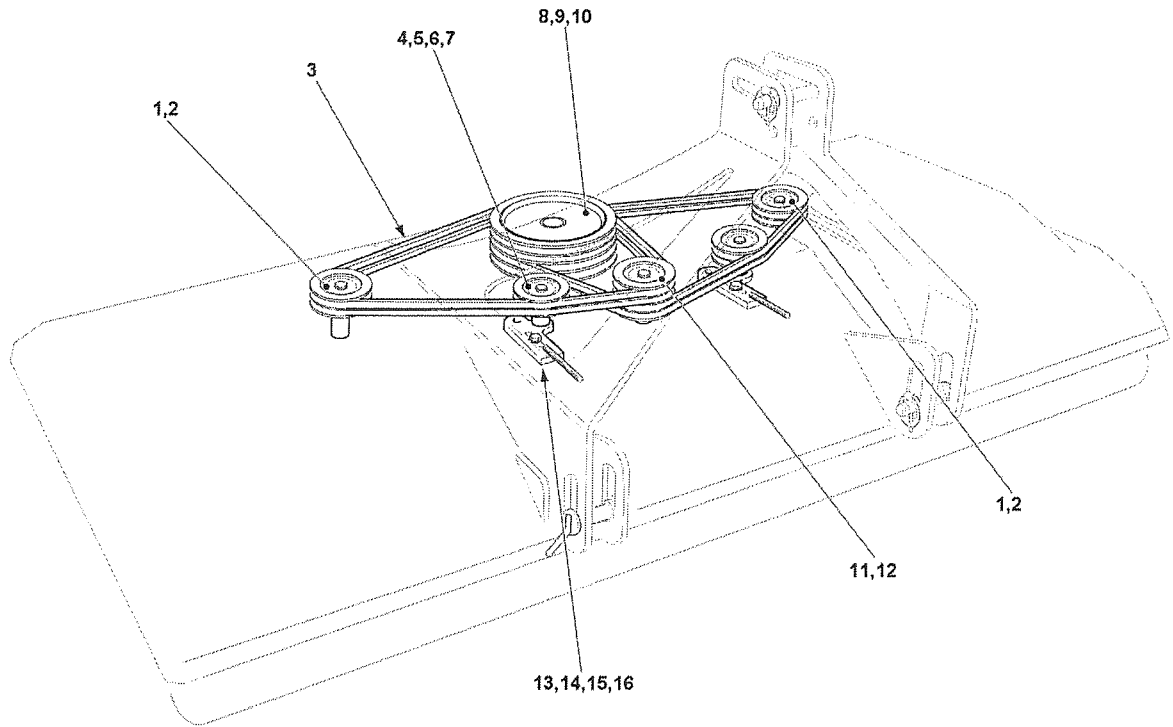
Position	RMX180 Part No.	Qty	RMX240 Part No.	Qty	RMX300 Part No.	Qty	Description
1	11457	1	11457	1	11457	1	Gearbox Mounting Plate
2	15003	1	15003	1	15003	1	Gearbox Plate Fastening Set
3	5857	1	5857	1	5857	1	Gearbox
4	0801	1	0801	1	0801	1	Gearbox F/set
5	1878	1	1878	1	1878	1	Cone Guard
6	5103	1	5103	1	5103	1	Cone Guard F/set
7	0127	1	0127	1	0127	1	Lynch Pin
8	1826	1	1826	1	1826	1	Top Link Pin
9	2720	1	2720	1	2720	1	Top Link Washer
10	10678	1	10778	1	10878	1	Belt Cover - Left Hand
11	2729	4	2729	4	2729	4	Belt Cover F/set
12	11379	1	11479	1	11479	1	Mainframe
13	11279	1	11279	1	11279	1	Tri-link Frame
14	15103	1	15103	1	15103	1	Tri-link Frame F/set
15	N/A	0	11778	1	N/A	0	Pulley Cover Plate
16	N/A	0	15403	1	N/A	0	Pulley Cover Plate F/set
17	10578	1	10578	1	10578	1	Centre Belt Cover
18	2729	4	2729	4	2729	4	Centre Belt Cover F/set
19	3925	1	3925	1	3925	1	Spring
20	6430	1	6430	1	6430	1	PTO Hook Retainer
21	15203	1	15203	1	15203	1	PTO Hook Retainer F/set
22	0229	1	0229	1	0229	1	D-Shackle
23	9280	1	9280	1	9280	1	PTO Hook
24	4028	2	4028	2	4028	2	Bottom Link Pin <i>(Category 1 Link Pin, part no. 0826)</i>
25	3828	4	3828	4	3828	4	Bottom Link Bush <i>(Category 1 Conversion Bush, part no. 5528)</i>
26	0127	2	0127	2	0127	2	Lynch Pin
27	10678	1	10778	1	10878	1	Belt Cover - Right Hand
28	2729	4	2729	4	2729	4	Belt Cover F/set
29	0705	4	0705	4	0705	4	Adjuster Cover F/set
30	14456	4	14456	4	14456	4	Adjuster Cover
31	8002	4	8002	4	8002	4	Skid Belt
32	0246	4	0246	4	0246	4	Grease Nipple
33	14556	4	14556	4	14556	4	Height Adjustment Nut
34	14656	4	14656	4	14656	4	Height Adjustment Thread
35	2420	4	2420	4	2420	4	Nylon Washer
36	4222	4	4222	4	4222	4	Roll Pin
37	14756	4	14756	4	14756	4	Height Adjustment Hexagon
38	3574	2	3574	2	3574	2	Roller Carrier
39	6530	2	6630	2	6730	2	Roller Scraper
40	15603	4	15603	4	15603	4	Roller Spindle F/Set
41	4122	4	4122	4	4122	4	Circlip
42	15703	4	15703	4	15703	4	Roller End F/set
43	2555	4	2555	4	2555	4	Roller End
44	2755	2	2855	2	2955	2	Roller
45	19580	4	19580	4	19580	4	Rubber Disc
46	1838	4	1838	4	1838	4	Roller Bearing
47	2655	4	2655	4	2655	4	Roller Bearing Shield
48	2455	4	2455	4	2455	4	Roller Spindle
49	0246	4	0246	4	0246	4	Grease Nipple

PLATE 2- RMX SPINDLES ASSEMBLY DIAGRAM

Position	RMX 180 Part No.	Qty	RMX 240 Part No.	Qty	RMX 300 Part No.	Qty	Description
1	0147	3	0147	4	0147	5	Key
2	11362	3	11362	4	11362	5	Taper Lock
3	10362	2	10362	2	10362	2	2 Row Pulley
4	15066	3	15066	4	15066	5	Spindle Nut
5	0120	3	0120	4	0120	5	Tab washer
6	4401	3	4401	4	4401	5	F/set
7	0145	3	0145	4	0145	5	Seal
8	0338	3	0338	4	0338	5	Top Spindle Bearing
9	15166	3	15166	4	15166	5	Spindle
10	0220	3	0220	4	0220	5	Fibre Washer
11	7270	3	7270	4	7270	5	Blade Bar
12	10462	1	10462	2	10462	3	4 Row Pulley
13	2701	3	2701	4	2701	5	Spindle Ass F/set
14	14966	3	14966	4	14966	5	Spindle spacer
15	2166	3	2166	4	2166	5	Oil Seal Housing
16	0346	3	0346	4	0346	5	Grease Nipple
17	1966	3	1966	4	1966	5	Spindle Housing
18	1238	3	1238	2	1238	5	Bottom Spindle Bearing
19	1739	6	1739	8	1739	10	Blade Bolt
20	10070	6	10070	8	10070	10	Gold Cut Blade
21	7470	3	7470	4	7470	5	Anti-scalp Boss
22	0439	3	0439	4	0439	5	Centre Blade Bolt
23	9384		9384		9384		ProLube Grease

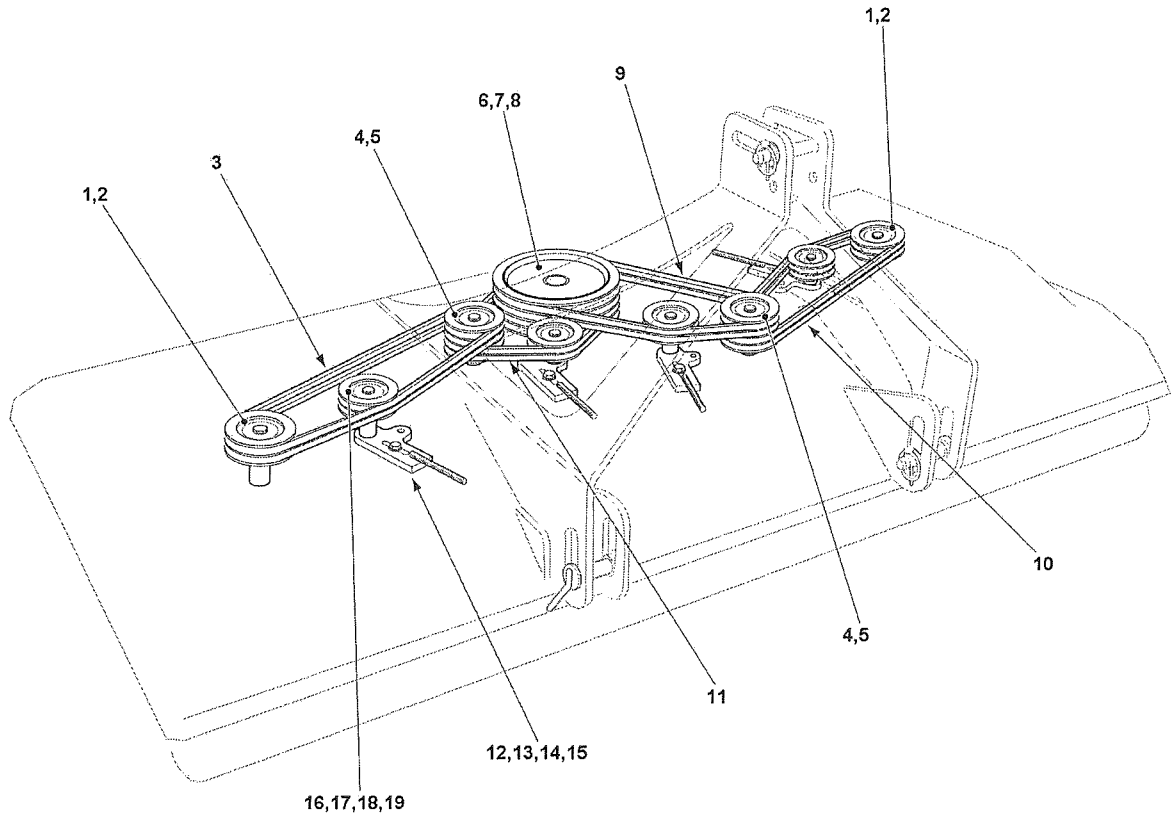


RMX180 – DRIVE BELT DIAGRAM



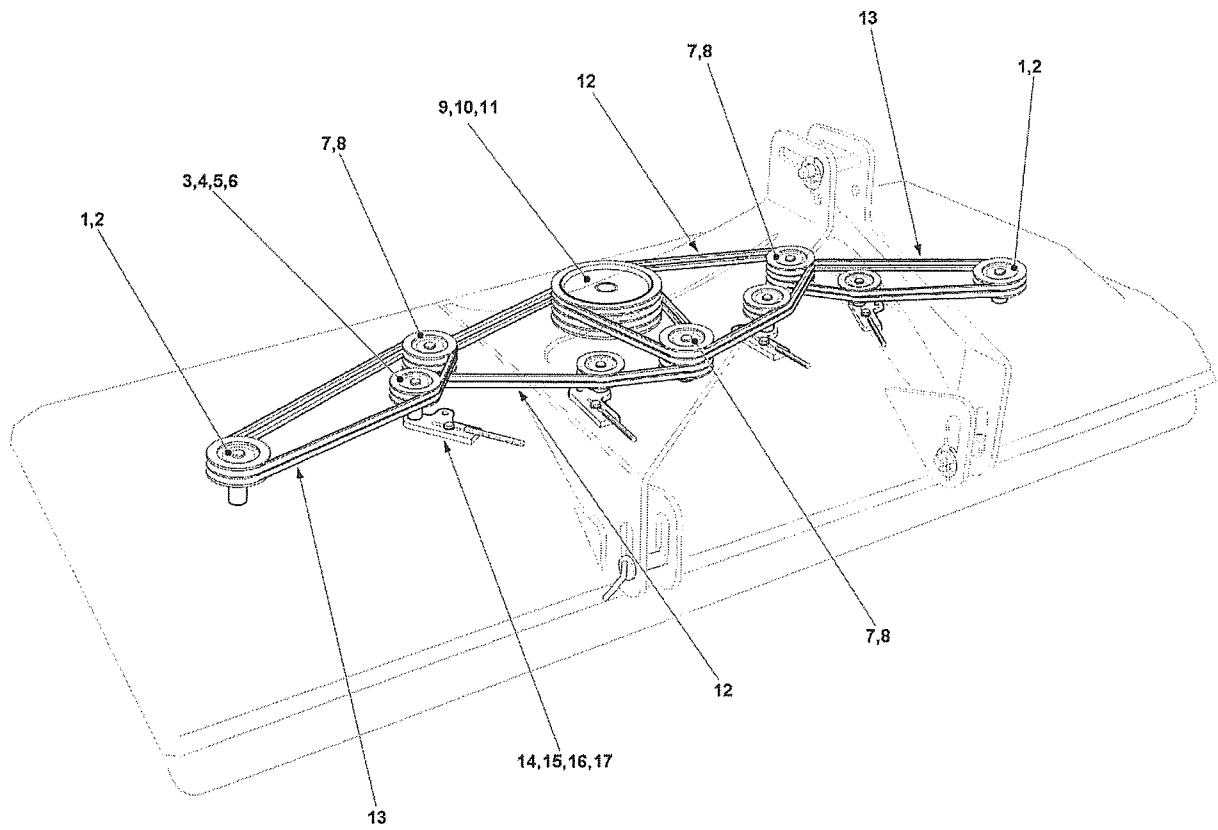
<i>Position</i>	<i>Part No.</i>	<i>Qty</i>	<i>Description</i>
1	10362	2	2 Row Pulley
2	11362	2	Taper Lock
3	0234	4	Belt
4	10562	2	Jockey Pulley
5	6038	2	Jockey Bearing
6	4022	2	Circlip
7	15903	2	Jockey Bolt
8	11162	1	Gearbox Pulley
9	8662	1	Taper Lock
10	0647	1	Key
11	10462	1	4 Row Pulley
12	11362	1	Taper Lock
13	13066	2	Jockey Bracket
14	16003	2	Jockey Bracket F/set
15	12966	1	Jockey Pillar - High
16	12866	1	Jockey Pillar - Low

RMX24,0 – DRIVE BELT DIAGRAM



Position	Part No.	Qty	Description
1	10362	2	2 Row Pulley
2	11362	2	Taper Lock
3	4534	2	Belt
4	10462	2	4 Row Pulley
5	11362	2	Taper Lock
6	11162	1	Gearbox Pulley
7	8662	1	Taper Lock
8	0647	1	Key
9	5234	2	Belt
10	4534	2	Belt
11	5134	2	Belt
12	13066	4	Jockey Bracket
13	16003	4	Jockey Bracket F/set
14	12966	2	Jockey Bracket Pillar - High
15	12866	2	Jockey Bracket Pillar - Low
16	10562	4	Jockey Pulley
17	6038	4	Jockey Bearing
18	4022	4	Circlip
19	15903	4	Jockey Bolt

RMX300 – DRIVE BELT DIAGRAM



<i>Position</i>	<i>Part No.</i>	<i>Qty</i>	<i>Description</i>
1	10362	2	2 Row Pulley
2	11362	2	Taper Lock
3	10562	4	Jockey Pulley
4	6038	4	Jockey Bearing
5	4022	4	Circlip
6	15903	4	Jockey Bolt
7	10462	3	4 Row Pulley
8	11362	3	Taper Lock
9	11162	1	Gearbox Pulley
10	8662	1	Taper Lock
11	0647	1	Key
12	4534	4	Drive Belt
13	0234	4	Drive Belt
14	13066	4	Jockey Bracket
15	16003	4	Jockey Bracket F/set
16	12966	2	Jockey Bracket Pillar – High
17	12866	2	Jockey Bracket Pillar - Low