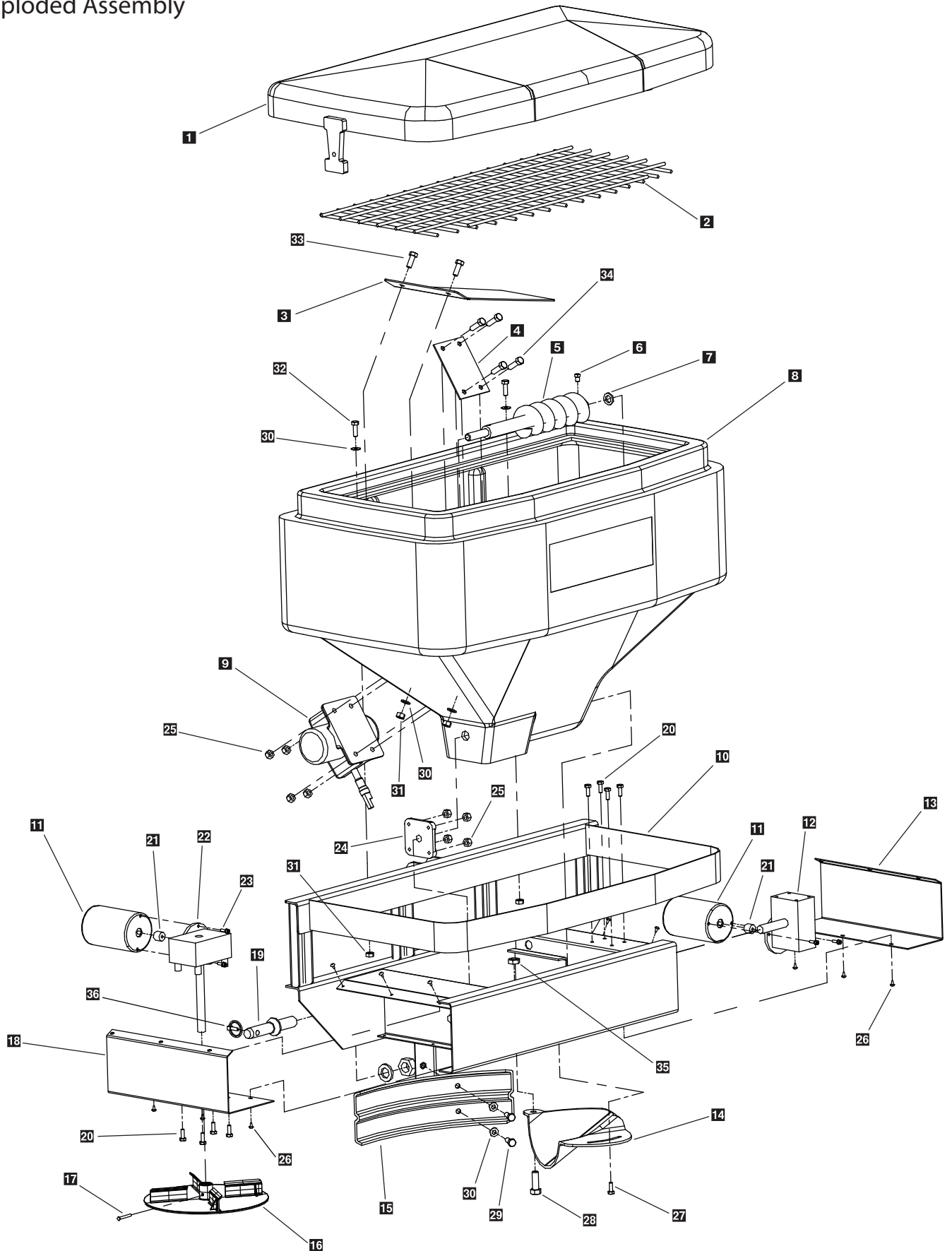
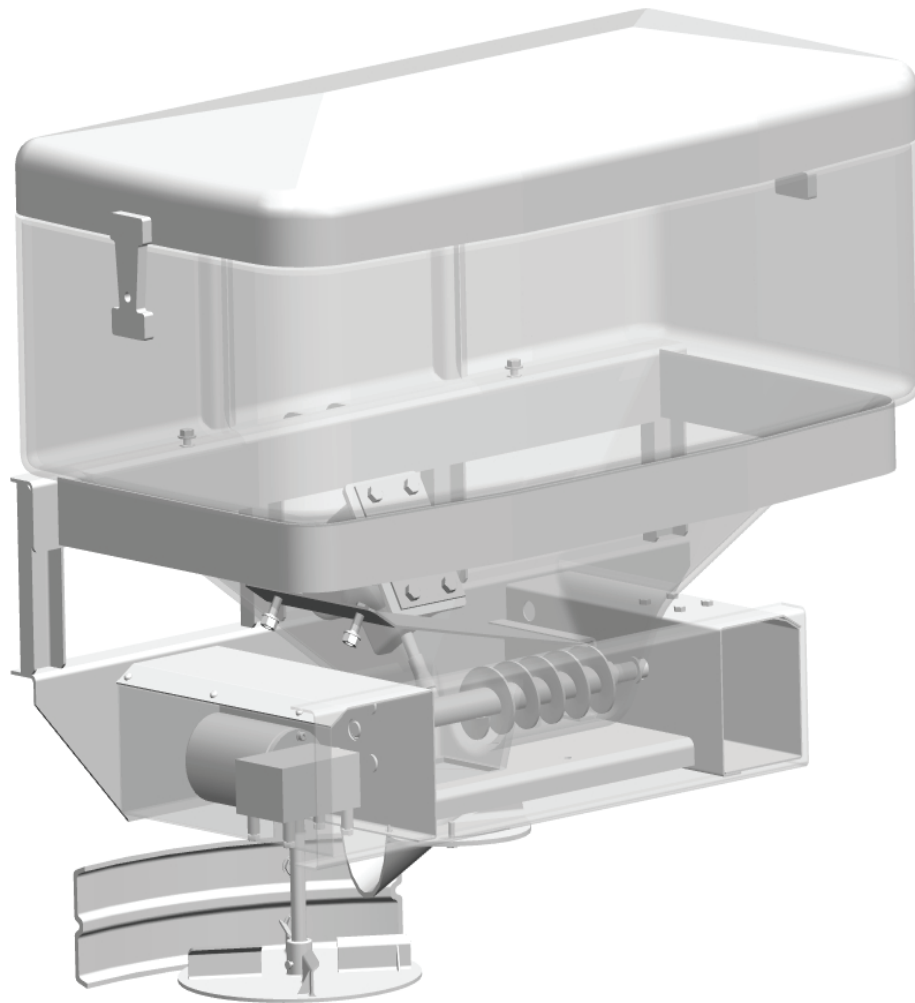


PRO 1575  
Exploded Assembly



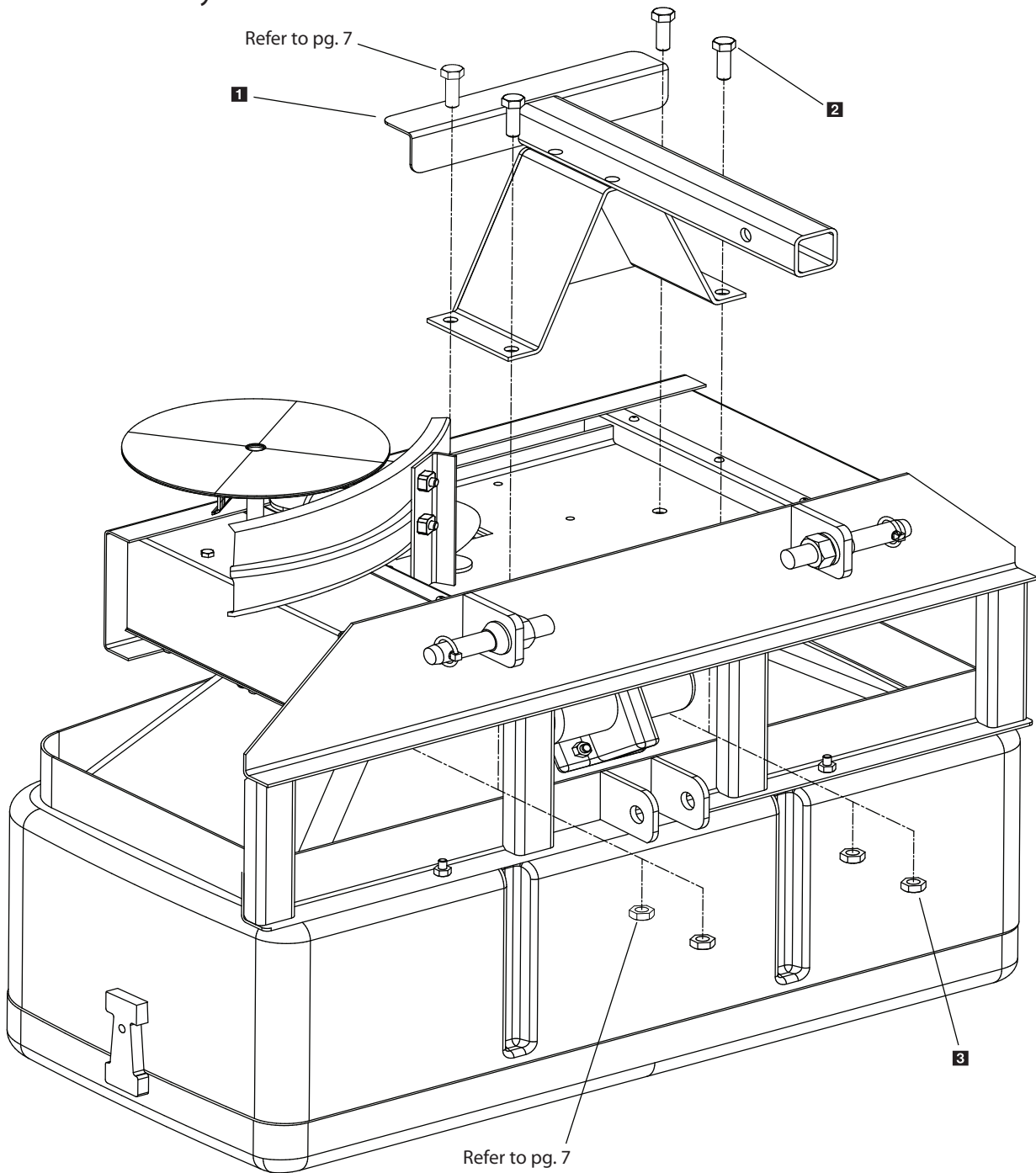
# PRO 1575

## MAIN ASSEMBLY PARTS BREAKDOWN



Key	Part No.	Description	Qty.	Key	Part No.	Description	Qty.	Key	Part No.	Description	Qty.
<b>1</b>	D6240	1575 Lid Assembly	1	<b>16</b>	D6750	4 Flite Plastic Spinner	1	<b>31</b>	D5706	5/16-18 Serr. Hex Nut	4
<b>2</b>	D6257	1575 Top Screen	1	<b>17</b>	D6746	Ball Detent Pin	1	<b>32</b>	D6166	5/16-18 x 1 Hex Bolt	2
<b>3</b>	D5114	1 Pc. Material Baffle	1	<b>18</b>	D5106	Spinner Motor Cover	1	<b>33</b>	D6137	5/16-18 x 1-1/4 PH Screw	2
<b>4</b>	D5119	Vibrator Backing Plate	1	<b>19</b>	D5121	7/8 x 5/8 Clevis Pin	2	<b>34</b>	D4122	3/8-16 x 1/1/2 HH	4
<b>5</b>	D5105	10" Auger Assembly	1	<b>20</b>	D6131	1/4-20 Serr. Hex Bolt	8	<b>35</b>	D4120	1/2-13 Lock Nut (see pg 9)	
<b>6</b>	D6140	5/16-18 x 1/2 Set Screw	1	<b>21</b>	D6232	Motor Trans Coupler	2	<b>36</b>	D4133	5/16 Lynch Pin	1
<b>7</b>	D5115	5/8 USS Nylon Washer	1	<b>22</b>	D6107	Spinner Transmission	1				
<b>8</b>	D5100	1575 Yellow Hopper	1	<b>23</b>	D6172	10/32 x 5/8 Serr Flg Bolt	4				
<b>9</b>	D6174	12 Vdc Vibrator	1	<b>24</b>	D6512	Auger Bearing W/Cap	1				
<b>10</b>	D5102	1575 Main Frame	1	<b>25</b>	D6584	3/8 Serrated Flg Nut	8				
<b>11</b>	D6320	Auger & Spinner Motor	2	<b>26</b>	D6130	3/16 Blk Alum Rivet	12				
<b>12</b>	D6566	Auger Transmission	1	<b>27</b>	D6874	1/4 x 1-1/2 Self Driller	1				
<b>13</b>	D5107	Auger Motor Cover	1	<b>28</b>	D4123	1/2-13 x 1-1/2 HH	1				
<b>14</b>	D5118	Plastic Material Chute	1	<b>29</b>	D4121	3/8-16 x 1 Hex Head	2				
<b>15</b>	D6327	Plastic Deflector	1	<b>30</b>	D4125	3/8 Flat Washer	6				

PRO 1575  
Mount Assembly



Key	Part No.	Description	Qty.
<b>1</b>	D5104	2" Receiver Mount	1
<b>2</b>	D4116	1/2-13 x 1 Hex Head Bolt	3
<b>3</b>	D4120	1/2-13 Lock Nut	3